

ZGI653X The Most Durable CCTV Camera

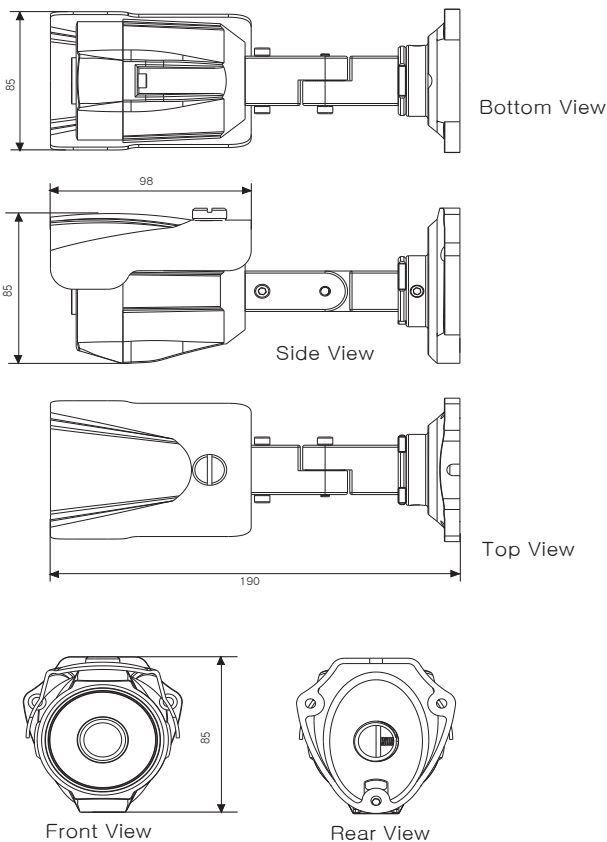
Outdoor Color IR Camera

INNEKT
Innovative Technology

- Stylish aluminum alloy housing design for outdoor usage
- 960H SONY Super HAD CCD II with color 650 TV Lines
- Wide input voltage with internal regulator (DC 9-20V)
- IR Reflection free with double glass window design
- High efficiency low loss 850nm 30deg., 30 Metre
- Constant current circuit for long life IR LED
- High definition fixed iris 4.0 or 6.0 mm IR corrective lens
- IP67 Waterproof with outstanding durability
- User-friendly line control OSD
- Internal cable wiring with 3 axis bracket
- FCC , RoHS , CE Certified



Dimensions (unit : mm)



Specification

Model	ZGI653X
Signal System	PAL
Image Sensor	1/3" 960H Sony Super HAD CCD II
Scanning System	2:1 Interlaced
Scanning Frequency	H: 15.625 KHz, V: 50 Hz
Total Pixels	1020(H) x 596(V)
Effective Pixels	976(H) x 582(V)
Resolution	650 TV Lines
ESC	Electronic Auto Shutter 1/50 - 1/100,000 sec automatic Manual Shutter 1/50, 1/120, 1/250, 1/500, 1/1000, 1/2000, 1/4000, 1/10000
S/N ratio	More than 48 dB (AGC Off)
Sensitivity	0 Lux (IR LED On)
Gamma correction	r = 0.45
Synchronize System	Internal Sync.
Video Output	1 Vp-p 75 ohm Composite
OSD Control	Joystick (Line Control)
Multiple Language OSD	English, French, German, Spanish, Portuguese, Chinese, Russian, Japanese
Gain control	Level adjustable to manual shutter value (Darken ← 6, 12, 18, 24, 30, 36, 42, 44, 8 → Brighten)
Back Light Compensation	Backlight Intesivity, Hight Light Compensation, BLC Off
White balance	ATW Auto.2500°K - 9500°K Selectable ATW, PUSH, User 1, User 2, ANTI CR, Manual, Push Lock
ATR (D-WDR)	WDR On / Off
Noise Reduction	2DNR On / Off, Noise reduction level adjustable
Day / Night	Digital Day / Night
Motion Detection	4 Zones
Privacy Masking	4 Zones
Digital Effects	Mirror / Brightness / Contrast / Sharpness / Hue / Gain
Lens	f4.0mm or f6.0mm Fixed lens at F1.2
IR LED	850nm(30°) x 42 units, up to 30M
IR LED Operation	On (1Lux) / Off (1Lux)
IP Rating	IP67 Waterproof
Power Supply	DC12V (Tolerance DC9~20V)
Operating current	400mA w/regulated power in
Operating Temperature	14°F ~ 122°F (-10°C ~ +50°C)
Storage Temperature	-4°F ~ 140°F (-20°C ~ +60°C)
Dimenssion(mm)	85(W) x 85(H) x 98(D)
Weight(Approx.g)	680g

FC RoHS CE

www.innekt.com