

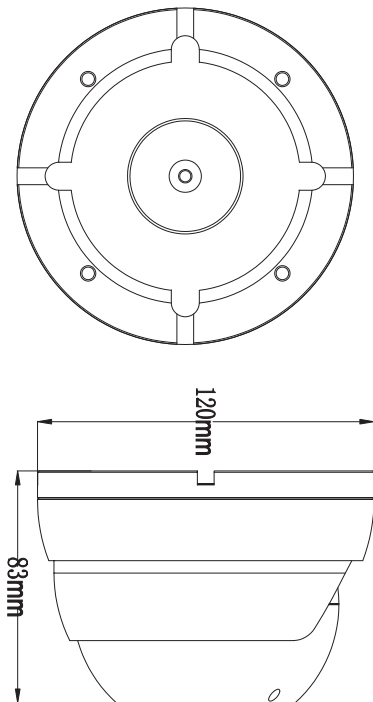
# ZOR703V3 The Most Durable CCTV Camera

## Vandal-Proof IR Dome Camera

- 960H SONY EX-view HAD CCD II with color 700 TV Lines
- Aluminum alloy vandal proof housing design
- Wide input voltage with internal regulator (DC 9-20V)
- Anti-Exposure IR night vision
- 42 IR LEDs with IR distance 30 Metre
- Hi efficiency 850nm 300deg., IR LED
- High definition manual viri-focal lens (2.8-11mm)
- User-friendly OSD on-line control menu
- Constant current circuit for long life IR
- Waterproof IP66 housing rating
- FCC , RoHS , CE Certified



### Dimensions (unit : mm)



### Specification

<b>Model</b>	<b>ZOR703V</b>
Resolution	700 TV Line
Image Pick-up Device	1/3" 960H SONY EX-view HAD CCD II
Pixels	976(H) x 596(V)
TV system	PAL
Scanning System	2 : 1 Interlace
Lens	2.8-11 mm manual zoom optical lens
S/N ratio	More than 48 dB (AGC Off)
Video output	1 Vp-p 75 ohm
Menu Function	Built-in menu, line control menu adjustment
Electronic shutter	Specific function refer to "600 TVL / 700 TVL / WDR / Super Low Lux camera characteristics and function description"
Min. illumination	
Gain control	
Back light	
White balance	
Power supply	DC12V 400mA
IR Distance	30 M
LED quantity	42 pcs $\Phi$ 5 IR 850nm LED
Anti-Exposure IR night vision	Yes
Waterproof rating	IP66
Lighningproof function	Multiple lightning proof
Operation temperature	-10 °C to 50 °C RH 95% Max
Dimension	120mm(D) x 83mm(H)
Weight	910g

Price **6,150.-**

FC RoHS CE