



AVM359A

MARS
ETS



HD 720P



Vari-focal
Lens



MicroSD
Card
Recording



PoE



Solid Light



Mobile
Surveillance

1.3MP Vari-focal IP Camera

FEATURES

- Equipped with a **vari-focal lens of f2.8 ~ 12mm**, suitable for various monitoring environments
- **Solid Light** series featuring better overexposure prevention (Advanced Smart Light Control), automatic adjustment of image brightness, and longer lifetime of LEDs



- Micro SD card support (up to 64GB) for **video storage**
- **External alarm I/O device connection**



- **POE (Power-over-Ethernet)** support to eliminate the use of power cables and reduce installation costs
- **ONVIF** (**ONVIFS**) standard supported to simplify system integration
- IR LED built-in for **night surveillance** with max effective range up to 35 meters
- **Remote Surveillance**
 - **Fully compatible** with **iOS** and **Android** devices, and **Internet Explorer** on Windows operating system
 - **Push Video** available on your iOS and Android devices when used with Push Video NVR series.



○ SPECIFICATIONS

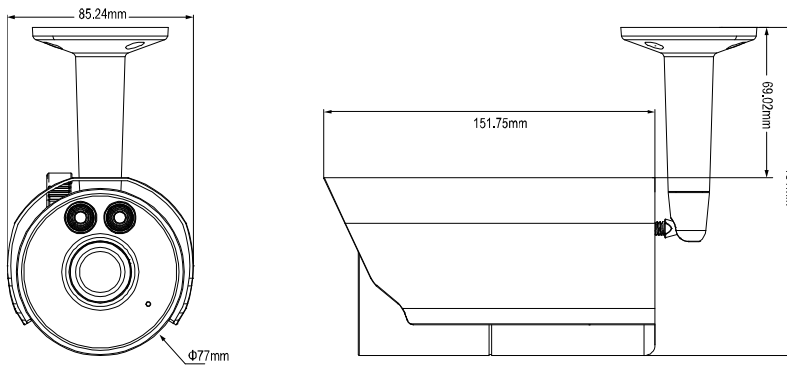
| ■ Network | |
|-----------------------------------|--|
| LAN Port | YES |
| LAN Speed | 10/100 Based-T Ethernet |
| Supported Protocols | DDNS, PPPoE, DHCP, NTP, SNTP, TCP/IP, ICMP, SMTP, FTP, HTTP, RTP, RTSP, RTCP, IPv4, Bonjour, UPnP, DNS, UDP, IGMP, QoS, SNMP |
| Number of Online Users | 10 |
| Security | (1) Multiple user access levels with password (2) IP address filtering (3) Digest authentication |
| Remote Access | (1) Internet Explorer on Windows operating system (2) 16CH Video Viewer on Windows & MAC operating system (3) EagleEyes on iPhone, iPad & Android mobile devices |
| ■ Video | |
| Video Compression | H.264 / MPEG4 / MJPEG |
| Resolution | SXGA, 720P, VGA, QVGA |
| Frame Rate | 30fps |
| Multiple Video Streaming | 3 (H.264, MJPEG, MPEG4) |
| ■ General | |
| Image Sensor | 1/4" SONY CMOS image sensor |
| Min Illumination | 1 Lux / F1.4, 0 Lux (LED ON) |
| S/N Ratio | More than 48dB (AGC off) |
| Electronic Shutter | 1/2 to 1/10,000 sec |
| Lens | f2.8 ~ 12mm / F1.4 ~ F2.8 |
| Viewing Angle | Wide: 66° (Horizontal) / 52° (Vertical) / 90° (Diagonal) Tele: 16° (Horizontal) / 10° (Vertical) / 22° (Diagonal) |
| IR LED | 2 Units |
| IR Effective Range ** | Default : up to 25 meters ; IR Enhanced Mode : up to 35 meters |
| IR Shift | YES |
| IRIS Mode | AES |
| White Balance | ATW |
| AGC | Auto |
| Micro SD Card Slot | YES (up to 64GB) |
| IP Rating | IP66 |
| Startup Temperature | 0°C ~ 40°C |
| Operating Temperature | -20°C ~ 50°C |
| Power Source (±10%) | 12V / 1.5A |
| Current Consumption (±10%) | 11W (IR On) |
| Power Consumption (±10%) | 13.8W (PoE) ; 13.8W (PoN) ; 11W (IR On) (DC Adapter) |
| ■ Others | |
| Mobile Surveillance | iPad / iPhone / Android mobile device |
| ONVIF Compatible | YES (Profile S) |
| POE (Power-over-Ethernet) | YES (IEEE 802.3af) |
| Event Notification | FTP / Email / SMS |
| External Alarm Device Connection | YES |
| Digital Pan / Tilt / Zoom | YES |
| Motion Detection | YES |
| RTC (real-time clock) | YES |
| Minimum Web Browsing Requirements | <ul style="list-style-type: none"> • Intel core i3 or higher, or equivalent AMD • 2GB RAM • AGP graphics card, Direct Draw, 32MB RAM • Windows 7, Vista & XP, DirectX 9.0 or later • Internet Explorer 7.x or later |

*The specifications are subject to change without notice

** Using IR enhanced mode and slow shutter speed, the distance can be extended even longer.



○ DIMENSIONS (mm)



*Dimensional tolerance: ± 5 mm